

1T 8051
8-bit Microcontroller

Nuvoton 1T 8051-based Microcontroller
NuTiny-SDK-N76E003
User Manual

The information described in this document is the exclusive intellectual property of Nuvoton Technology Corporation and shall not be reproduced without permission from Nuvoton.

Nuvoton is providing this document only for reference purposes of NuMicro microcontroller based system design. Nuvoton assumes no responsibility for errors or omissions.

All data and specifications are subject to change without notice.

For additional information or questions, please contact: Nuvoton Technology Corporation.

www.nuvoton.com

Table of Contents

1 OVERVIEW 3

2 NUTINY-SDK-N76E003 INTRODUCTION..... 4

 2.1 Virtual COM Port Switch Description 4

 2.2 NuTiny-SDK-N76E003 Power Setting and Connector 4

 2.2.1 Power Setting 4

 2.2.2 Debug Connector 5

 2.2.3 ICE USB Connector 5

 2.2.4 Extended Connector 5

 2.2.5 Reset Button..... 5

 2.2.6 Power Connector 5

 2.2.7 Virtual COM Port Function Switch 5

 2.3 Pin Assignment for Extended Connector 6

 2.4 NuTiny-SDK- N76E003 PCB Placement..... 7

3 How to Start NuTiny-SDK-N76E003 on the Keil C-51 μ Vision[®] IDE 8

 3.1 Downloading and Installing Keil C-51 μ Vision[®] IDE Software 8

 3.2 Downloading and Installing Nuvoton Nu-Link Driver 8

 3.3 Hardware Setup..... 8

 3.4 Example Program..... 8

4 NuTiny-EVB-N76E003 Schematic..... 11

 4.1 Nu-Link-Me Schematic..... 11

 4.2 NuTiny-SDK-N76E003 Schematic 12

5 Downloading NuVOTON 8bit 8051 MCUs Related Files from Nuvoton Website 13

 5.1 Downloading Nuvoton Keil C-51 μ Vision[®] IDE Driver..... 13

 5.2 Downloading Nuvoton 8bit 8051 MCUs N76E003 Series Sample Code 14

6 REVISION HISTORY 15

1 OVERVIEW

NuTiny-SDK-N76E003 is the specific development tool for 8-bit high performance 1T 8051-based microcontroller N76E003 series. User can use NuTiny-SDK-N76E003 to develop and verify the application program easily.

NuTiny-SDK-N76E003 includes two portions. One is NuTiny-EVB-N76E003 and the other is Nu-Link-Me. NuTiny-EVB-N76E003 is the evaluation board and Nu-Link-Me is its Debug Adaptor. Thus, user does not need other additional ICE or debug equipment.

The Nuvoton 1T 8051-based microcontroller N76E003 series is function compatible with the N76E616 and N76E885 series, the 8-bit high performance 1T 8051-based microcontroller. The instruction set is fully compatible with the standard 80C51 and performance enhanced. The N76E003 series can bridge the gap and replace the cost equivalent to traditional 4T, 6T and 12T 8-bit microcontroller by 1T 8-bit high performance and rich functions. With high performance CPU core and rich well-designed peripherals, the N76E003 benefits to meet a general purpose, home appliances, or motor control system accomplishment.

The N76E003 series can run up to 16 MHz, and operate at a wide voltage range of 2.4V ~ 5.5V and temperature range of -40°C ~ +105°C. For the N76E003 series, the embedded program flash size is up to 18 Kbytes, SRAM is 256 bytes, and 768 Bytes of auxiliary RAM (XRAM). The N76E003 series also offers size configurable 4K/3K/2K/1K/0K bytes flash of LDROM for the ISP, which provides flexibility to user developed Boot Code.

The N76E003 series has many high-performance peripheral functions, such as 16 MHz high-speed internal RC oscillator (trimmed to $\pm 1\%$ when VDD 5.0V, $\pm 2\%$ in all conditions), I/O port with up to 18 pins, four 16-bit timers, two full-duplex UARTs ports with frame error detection and automatic address recognition, one SPI interface, one I²C interface, up to five enhanced 16-bit PWM output channels, 8 channels 12-bit ADC, Watchdog Timer, Self Wake-up Timer, and a Brown-out Detector. The peripherals are equipped with 18 sources with 4-level-priority interrupts capability. All these peripherals have been incorporated into the N76E003 series to reduce component count, board space and system cost.

Additionally, the N76E003 series is equipped with ISP (In-System Programming) and ICP (In-Circuit Programming) functions, which allow the user to update the program memory without removing the chip from the actual end product. The N76E003 series also supports In-Application-Programming (IAP) function, user switches the code executing without the chip reset after the embedded flash updated.

2 NUTINY-SDK-N76E003 INTRODUCTION

NuTiny-SDK-N76E003 uses the N76E003AT20 as the target microcontroller. Figure 2-1 is NuTiny-SDK-N76E003 for the N76E003 series, the left portion is called NuTiny-EVB-N76E003 and the right portion is Debug Adaptor called Nu-Link-Me.

NuTiny-EVB-N76E003 is similar to other development boards. User can use it to develop and verify applications to emulate the real behavior. The on-board chip covers N76E003 series features. The NuTiny-EVB-N76E003 can be a real system controller to design user's target systems.

Nu-Link-Me is a Debug Adaptor. The Nu-Link-Me Debug Adaptor connects your PC's USB port to the user's target system (via Serial Wired Debug Port) and allows user to program and debug embedded programs on the target hardware. To use Nu-Link-Me Debug adaptor with Keil, please refer to "Nuvoton Nu-Link debug adapter user manual" in detail. This document will be stored in the local hard disk when user installs each driver. Nu-Link-Me also supports virtual COM port function. User can use Nu-Link-Me as a USB to UART virtual COM port, which connects to on-board N76E003AT20 UART0.

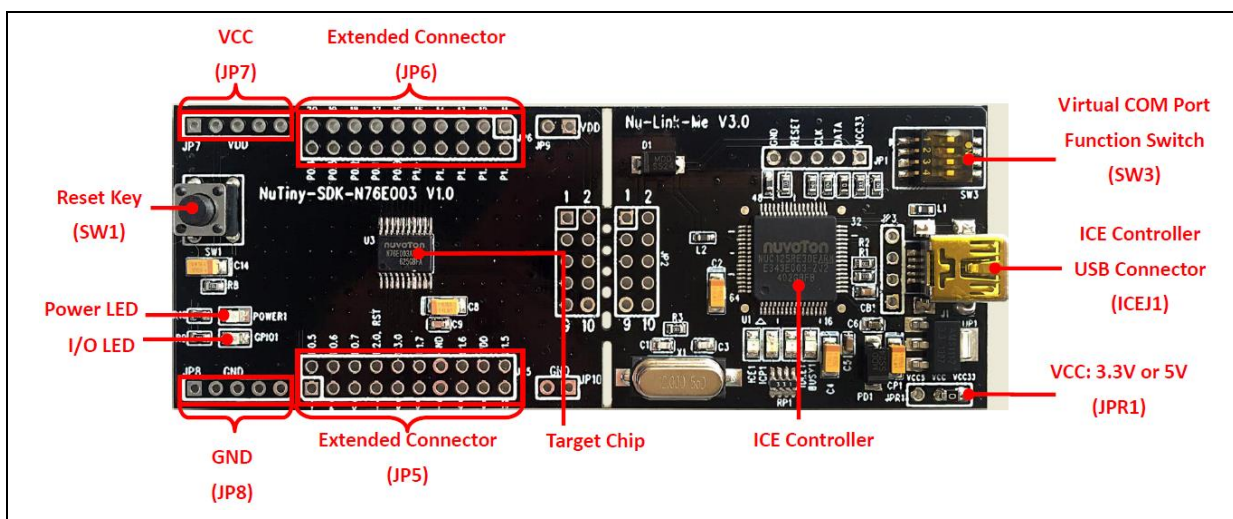


Figure 2-1 NuTiny-SDK-N76E003 (PCB Board)

2.1 Virtual COM Port Switch Description

The switch in Nu-Link-Me, SW3, determines that the virtual COM port function is enabled or disabled. When user turns on all of the positions of switch, the virtual COM port function will be enabled. By using virtual COM port function, user can access the USB device in the same way as it would access a standard COM port to N76E003AT20 UART0. To use this function, user needs to install "VCOM Driver" at first. User can get "VCOM Driver" from NuMicroDVD www.nuvoton.com/NuMicroDVD in folder "Software Utilities".

2.2 NuTiny-SDK-N76E003 Power Setting and Connector

2.2.1 Power Setting

- J1: USB port in Nu-Link-Me
- JP7 and JP9: VCC33 Voltage connector in NuTiny-EVB-N76E003

Model	JPR1	J1USB port	JP7 & JP9 VCC33	MCU Voltage
Model 1	Select VCC33 (default)	Connect to PC	DC 3.3V output	DC 3.3V
Model 2	X	X	DC 2.4 V ~ 5.5 V Input	Voltage by JP7 & JP9 input

2.2.2 Debug Connector

- JP4: Connector in target board (NuTiny-EVB-N76E003) for connecting with Nuvoton ICE adaptor (Nu-Link-Me)
- JP2: Connector in ICE adaptor (Nu-Link-Me) for connecting with a target board (for example NuTiny-EVB-N76E003)

2.2.3 ICE USB Connector

- J1: Mini USB Connector in Nu-Link-Me connected to a PC USB port

2.2.4 Extended Connector

- JP5 and JP6: Show all chip pins in NuTiny-EVB-N76E003

2.2.5 Reset Button

- SW1: Reset button in NuTiny-EVB-N76E003

2.2.6 Power Connector

- JP7 and JP9: 3.3 VCC connector in NuTiny-EVB-N76E003
- JP8 and JP10: GND connector in NuTiny-EVB-N76E003

2.2.7 Virtual COM Port Function Switch

- SW3: Switch ON/OFF to enable or disable Nu-Link-Me virtual COM port function.

Function	Switch				Descriptions
	1	2	3	4	
Enable	ON	ON	ON	ON	Enable Nu-Link-Me virtual COM port function
Disable	OFF	OFF	OFF	OFF	Disable Nu-Link-Me virtual COM port function

2.3 Pin Assignment for Extended Connector

NuTiny-EVB-N76E003 provides N76E003AT20 on board and the extended connector for TSSOP-20 pin. Table 2-1 is the pin assignment for N76E003AT20.

Pin No	Pin Function	Pin No	Pin Function
01	PWM2/IC6/T0/AIN4/P0.5	11	P1.4/SDA/FB/PWM1
02	TXD/AIN3/P0.6	12	P1.3/SCL/[STADC]
03	RXD/AIN2/P0.7	13	P1.2/PWM0/IC0
04	RST/P2.0	14	P1.1/PWM1/IC1/AIN7/CLO
05	INT0/OSCIN/AIN1/P3.0	15	P1.0/PWM2/IC2/SPCLK
06	INT1/AIN0/P1.7	16	P0.0/PWM3/IC3/MOSI/T1
07	GND	17	P0.1/PWM4/IC4/MISO
08	[SDA]TXD_1/ICPDA/OCDDA/P1.6	18	P0.2/ICPCK/OCDC/RXD_1/[SCL]
09	VDD	19	P0.3/PWM5/IC5/AIN6
10	PWM5/IC7/SS/P1.5	20	P0.4/AIN5/STADC/PWM3/IC3

Table 2-1 Pin Assignment for N76E003AT20

2.4 NuTiny-SDK- N76E003 PCB Placement

User can refer to Figure 2-2 for the NuTiny-SDK-N76E003 PCB placements.

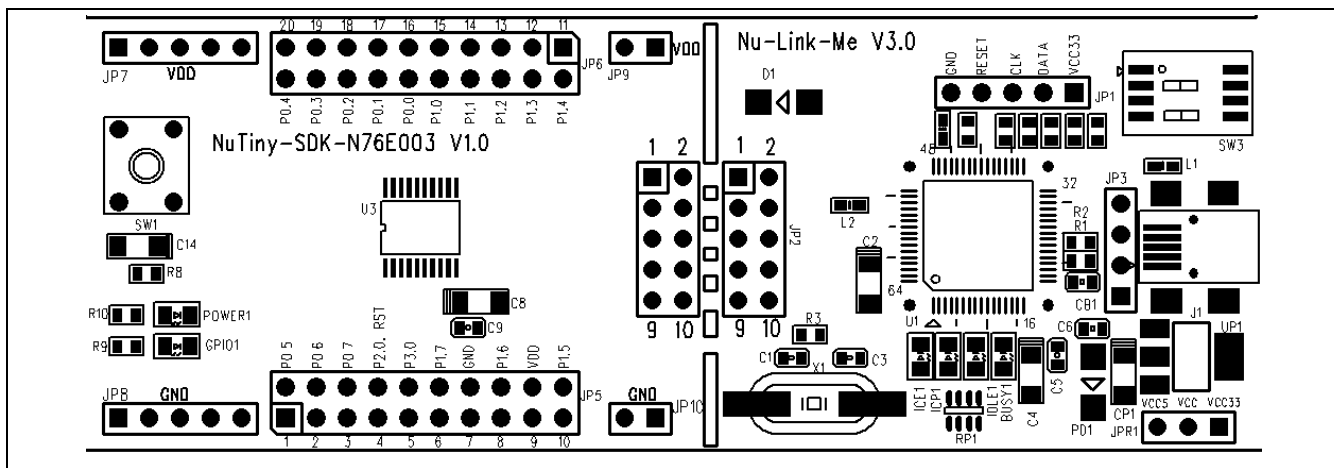


Figure 2-2 NuTiny-SDK-N76E003 PCB Placement

3 HOW TO START NUTINY-SDK-N76E003 ON THE KEIL C-51 μVISION® IDE

3.1 Downloading and Installing Keil C-51 μVision® IDE Software

Please connect to the Keil company website (<http://www.keil.com>) to download the Keil C-51 μVision® IDE and install the RVMDK.

3.2 Downloading and Installing Nuvoton Nu-Link Driver

Please connect to Nuvoton 8bit 8051 MCUs website (<http://www.nuvoton.com/8bit-8051-mcus>) to download the “Nuvoton 8051 Keil uVision Driver” file. Please refer to section 5.1 for the detailed download flow. After the Nu-Link driver is downloaded, please unzip the file and execute the “Nuvoton_8051_Keil_uVision_Driver_v1.08.zip” to install the driver.

3.3 Hardware Setup

The hardware setup is shown as Figure 3-1

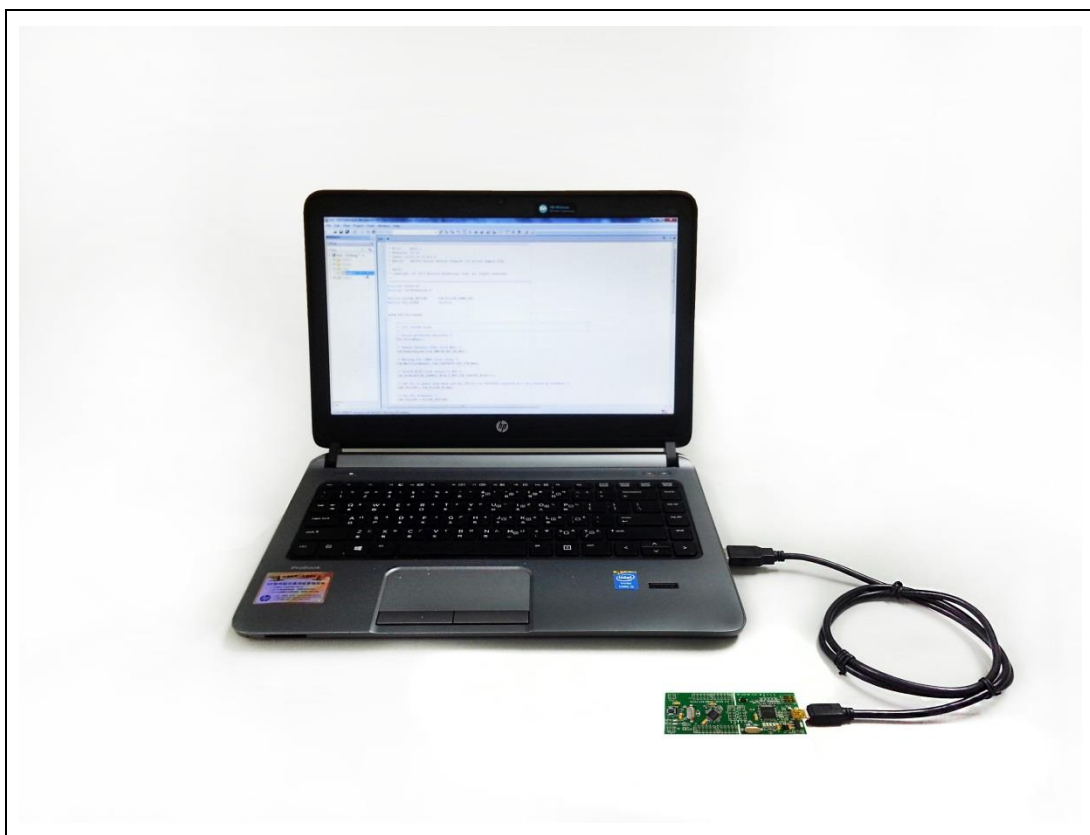


Figure 3-1 NuTiny-SDK-N76E003 Hardware Setup

3.4 Example Program

This example demonstrates the ease of downloading and debugging an application on a NuTiny-SDK-N76E003 board. It can be found on Figure 3-2 list directory and downloaded from Nuvoton 8bit 8051 MCUs website.

The example file can be found in the directory list shown in Figure 3-2.

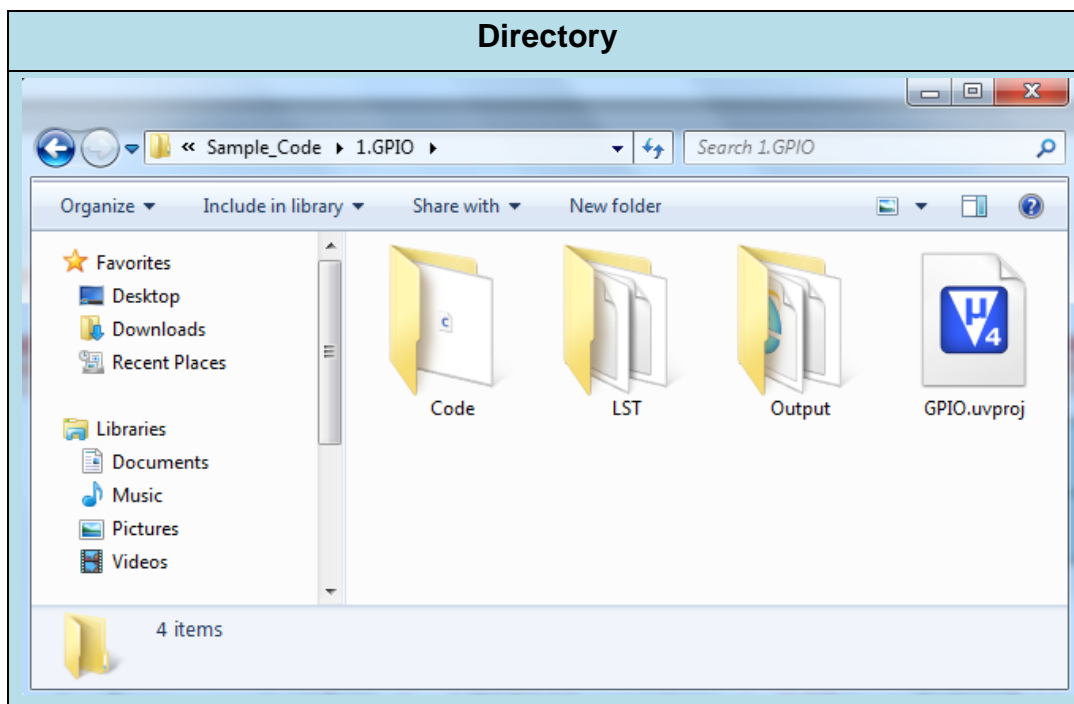
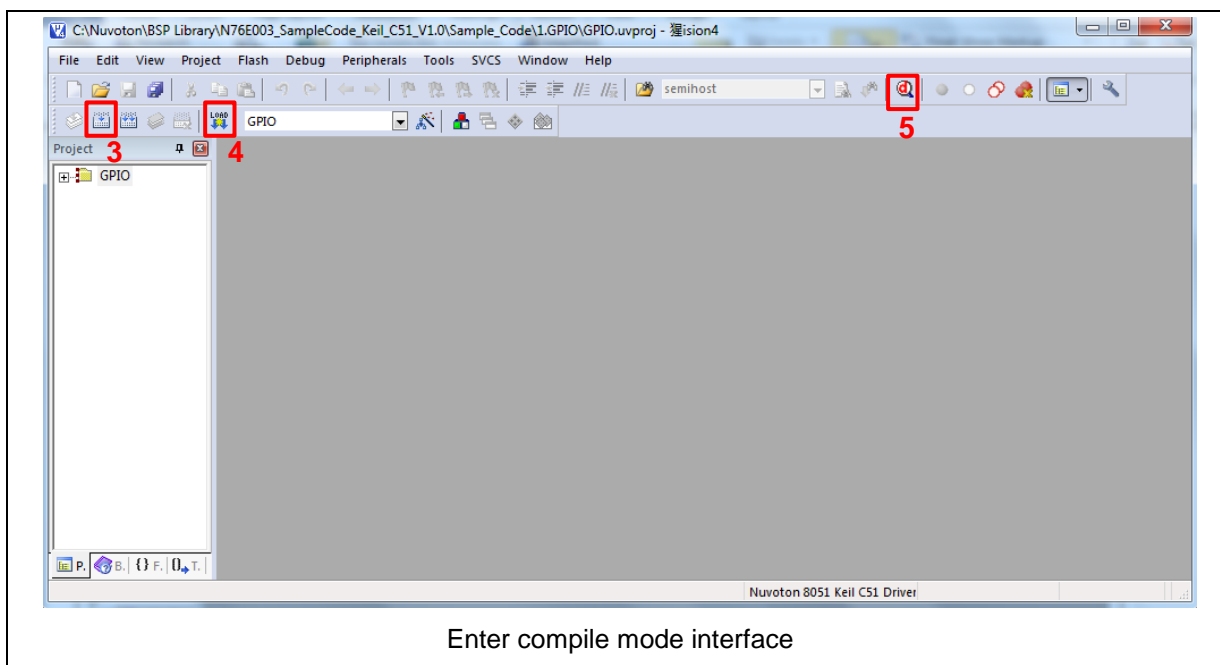





Figure 3-2 Example Directory

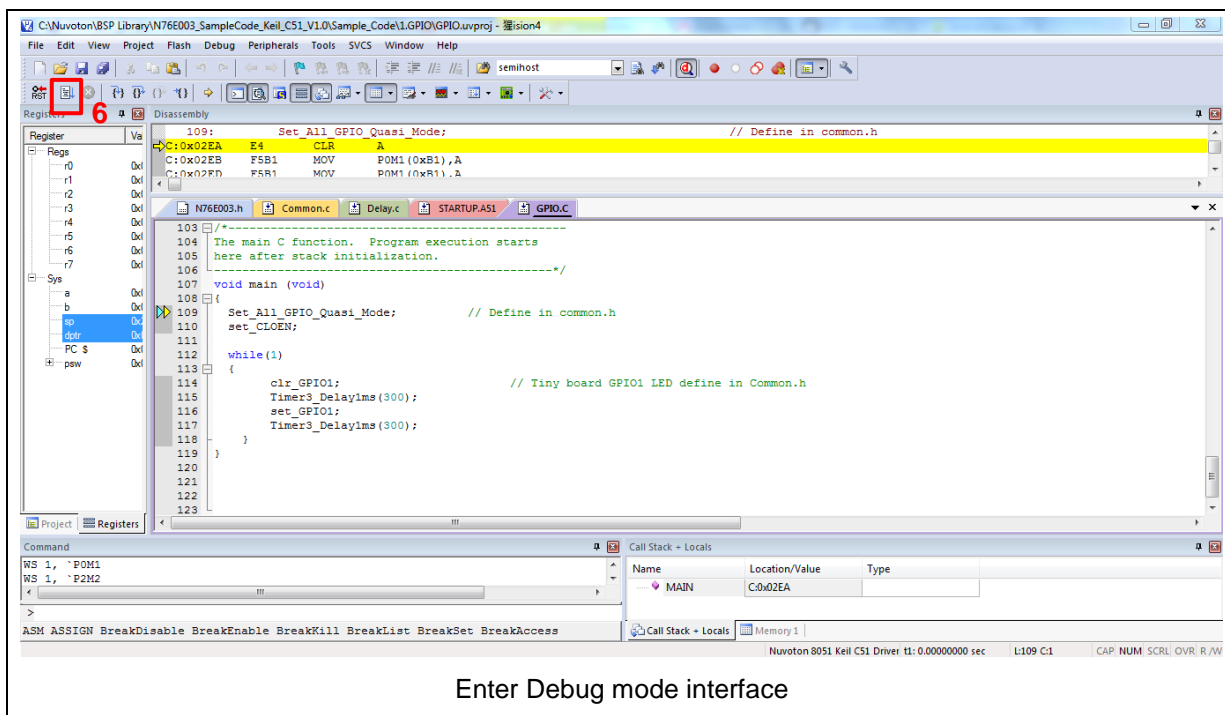
To use this example:

1. Open a project from the N76E003 sample code installation folder (default as C:\Nuvoton) using the following path :
 \N76E003_SampleCode_Keil_C51_V1.0\Sample_Code\1.GPIO
2. Execute “GPIO.uvproj”



Enter compile mode interface

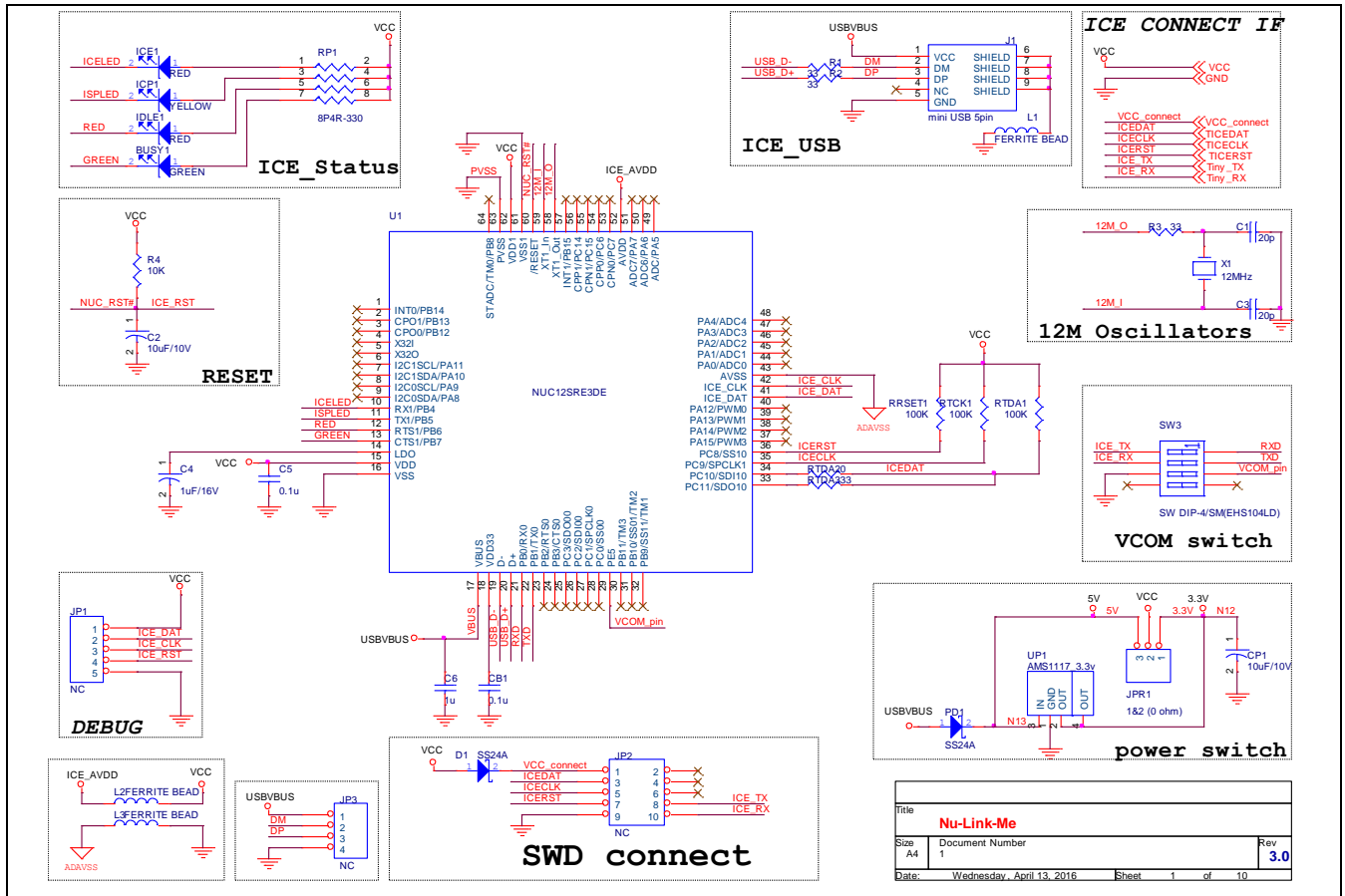
3.  Compiler
4.  Download the program code to Flash
5.  Enter / Exit Debug mode



6.  Execute the program
7. The I/O LED on the NuTiny-EVB-N76E003 board will be toggled on.

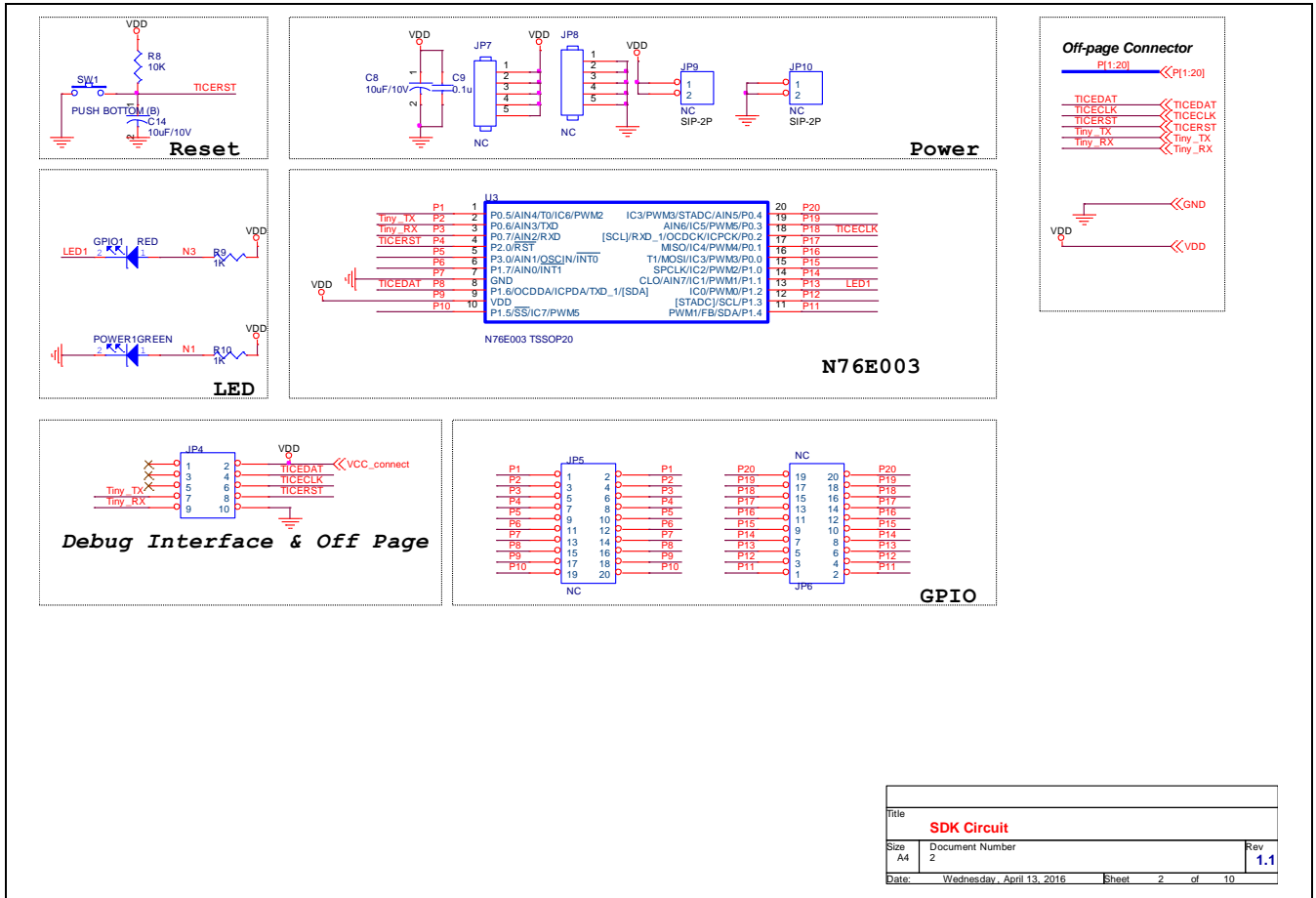
4 NUTINY-EVB-N76E003 SCHEMATIC

4.1 Nu-Link-Me Schematic



Title			Nu-Link-Me		
Size	A4	Document Number	1	Rev	3.0
Date:	Wednesday, April 13, 2016				Sheet 1 of 10


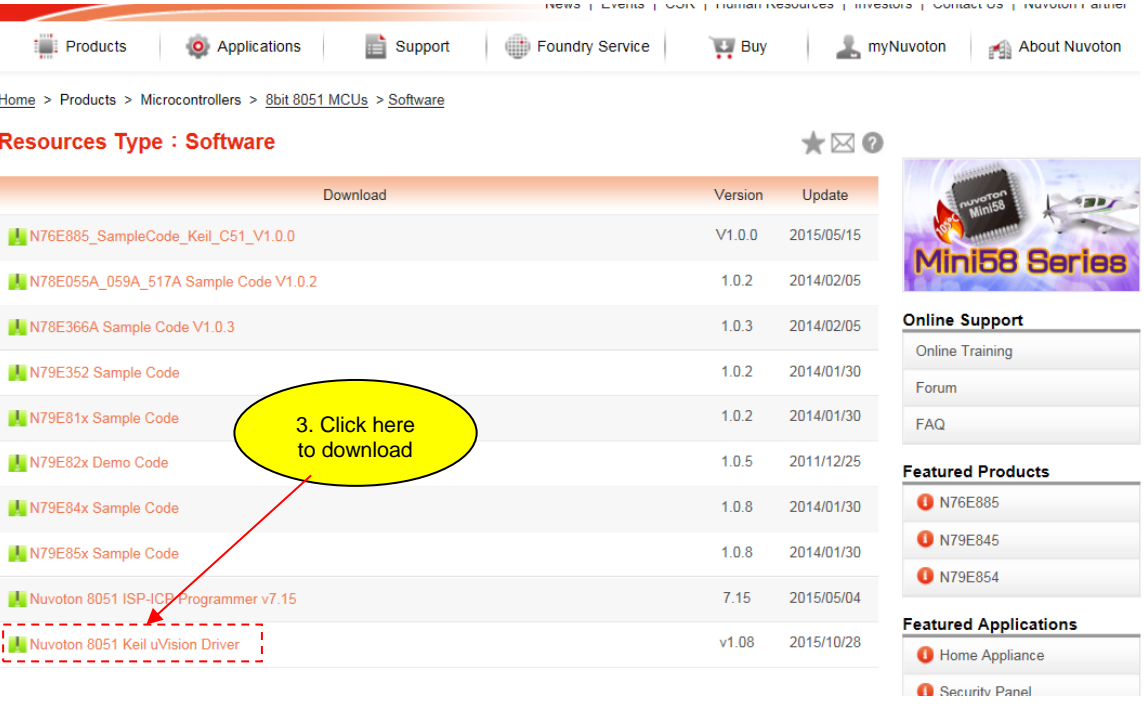
4.2 NuTiny-SDK-N76E003 Schematic




Title		
SDK Circuit		
Size	Document Number	Rev
A4	2	1.1
Date:	Wednesday, April 13, 2016	Sheet 2 of 10

5 DOWNLOADING NUVOTON 8BIT 8051 MCUS RELATED FILES FROM NUVOTON WEBSITE

5.1 Downloading Nuvoton Keil C-51 μ Vision[®] IDE Driver

<p>Step1</p>	<p>Visit the Nuvoton 8bit 8051 MCUs website: http://www.nuvoton.com/8bit-8051-mcus</p>																																	
<p>Step2</p>	 <p>The screenshot shows the Nuvoton website's product page for 8bit 8051 MCUs. It includes a navigation menu, a search bar, and a main content area with a bubble chart comparing different MCU models based on memory (K-byte) and pins. The chart includes models like LPC 8051, Standard 12T-8051, and Standard 4T-8051. There are also sections for Resources, Online Support, and Featured Products.</p>																																	
<p>Step3</p>	 <p>The screenshot shows the Nuvoton website's software resources page for 8bit 8051 MCUs. It features a table with columns for Download, Version, and Update. A yellow callout bubble points to the 'Nuvoton 8051 Keil uVision Driver' entry with the text '3. Click here to download'.</p> <table border="1"> <thead> <tr> <th>Download</th> <th>Version</th> <th>Update</th> </tr> </thead> <tbody> <tr> <td>N76E885_SampleCode_Keil_C51_V1.0.0</td> <td>V1.0.0</td> <td>2015/05/15</td> </tr> <tr> <td>N78E055A_059A_517A Sample Code V1.0.2</td> <td>1.0.2</td> <td>2014/02/05</td> </tr> <tr> <td>N78E366A Sample Code V1.0.3</td> <td>1.0.3</td> <td>2014/02/05</td> </tr> <tr> <td>N79E352 Sample Code</td> <td>1.0.2</td> <td>2014/01/30</td> </tr> <tr> <td>N79E81x Sample Code</td> <td>1.0.2</td> <td>2014/01/30</td> </tr> <tr> <td>N79E82x Demo Code</td> <td>1.0.5</td> <td>2011/12/25</td> </tr> <tr> <td>N79E84x Sample Code</td> <td>1.0.8</td> <td>2014/01/30</td> </tr> <tr> <td>N79E85x Sample Code</td> <td>1.0.8</td> <td>2014/01/30</td> </tr> <tr> <td>Nuvoton 8051 ISP-ICP Programmer v7.15</td> <td>7.15</td> <td>2015/05/04</td> </tr> <tr> <td>Nuvoton 8051 Keil uVision Driver</td> <td>v1.08</td> <td>2015/10/28</td> </tr> </tbody> </table>	Download	Version	Update	N76E885_SampleCode_Keil_C51_V1.0.0	V1.0.0	2015/05/15	N78E055A_059A_517A Sample Code V1.0.2	1.0.2	2014/02/05	N78E366A Sample Code V1.0.3	1.0.3	2014/02/05	N79E352 Sample Code	1.0.2	2014/01/30	N79E81x Sample Code	1.0.2	2014/01/30	N79E82x Demo Code	1.0.5	2011/12/25	N79E84x Sample Code	1.0.8	2014/01/30	N79E85x Sample Code	1.0.8	2014/01/30	Nuvoton 8051 ISP-ICP Programmer v7.15	7.15	2015/05/04	Nuvoton 8051 Keil uVision Driver	v1.08	2015/10/28
Download	Version	Update																																
N76E885_SampleCode_Keil_C51_V1.0.0	V1.0.0	2015/05/15																																
N78E055A_059A_517A Sample Code V1.0.2	1.0.2	2014/02/05																																
N78E366A Sample Code V1.0.3	1.0.3	2014/02/05																																
N79E352 Sample Code	1.0.2	2014/01/30																																
N79E81x Sample Code	1.0.2	2014/01/30																																
N79E82x Demo Code	1.0.5	2011/12/25																																
N79E84x Sample Code	1.0.8	2014/01/30																																
N79E85x Sample Code	1.0.8	2014/01/30																																
Nuvoton 8051 ISP-ICP Programmer v7.15	7.15	2015/05/04																																
Nuvoton 8051 Keil uVision Driver	v1.08	2015/10/28																																
<p>Step4</p>	<p>Download the Nuvoton_8051_Keil_uVision_Driver_v1.08</p>																																	

5.2 Downloading Nuvoton 8bit 8051 MCUs N76E003 Series Sample Code

<p>Step1</p>	<p>Visit the Nuvoton 8bit 8051 MCUs website: http://www.nuvoton.com/8bit-8051-mcus</p>
<p>Step2</p>	 <p>The screenshot shows the Nuvoton website interface for 8bit 8051 MCUs. It features a navigation menu with links for Products, Applications, Support, Foundry Service, Buy, myNuvoton, and About Nuvoton. A bubble chart plots Memory (K-byte) on the y-axis (2 to 128) against Pins on the x-axis (16 to 100). The chart includes several data points:</p> <ul style="list-style-type: none"> LPC 8051 (Red bubble): N76E88X, N79E85X / 84x, N79E82x, W79E8213 / 2051 1T / 4T 8051 (Blue bubble): I²C, SPI, UART, PWM, Data Flash, 10-bit ADC, ±1% Internal RC Standard 12T-8051 (Dark Blue bubble): N78E366 / 517 / 059 / 055, W78E516 / 058 / 054 / 052 4T 8051 (Green bubble): SPI, 2^UART, 2^IC, PWM, Data Flash, 10-bit ADC Standard 4T-8051 (Light Green bubble): W79E6xx / 22x, W77E516 / 058 6T / 12T 8051 (Dark Green bubble): UART, SPI, PWM, Data Flash, ±1% Internal RC <p>Additional elements on the page include a 'Resources' section with links to Data Sheet (38), Development Tool (4), Example Code (2), Online Training (1), and Software (14). There is also an 'Online Support' section with links for Online Training, Forum, and FAQ, and a 'Featured Products' section listing N76E885.</p>
<p>Step3</p>	<p>Download the N76E003_SampleCode_Keil_C51_V1.0</p>

6 REVISION HISTORY

Date	Revision	Description
2016.07.28	1.00	1. Preliminary version.

Important Notice

Nuvoton Products are neither intended nor warranted for usage in systems or equipment, any malfunction or failure of which may cause loss of human life, bodily injury or severe property damage. Such applications are deemed, "Insecure Usage".

Insecure usage includes, but is not limited to: equipment for surgical implementation, atomic energy control instruments, airplane or spaceship instruments, the control or operation of dynamic, brake or safety systems designed for vehicular use, traffic signal instruments, all types of safety devices, and other applications intended to support or sustain life.

All Insecure Usage shall be made at customer's risk, and in the event that third parties lay claims to Nuvoton as a result of customer's Insecure Usage, customer shall indemnify the damages and liabilities thus incurred by Nuvoton.

*Please note that all data and specifications are subject to change without notice.
All the trademarks of products and companies mentioned in this datasheet belong to their respective owners.*