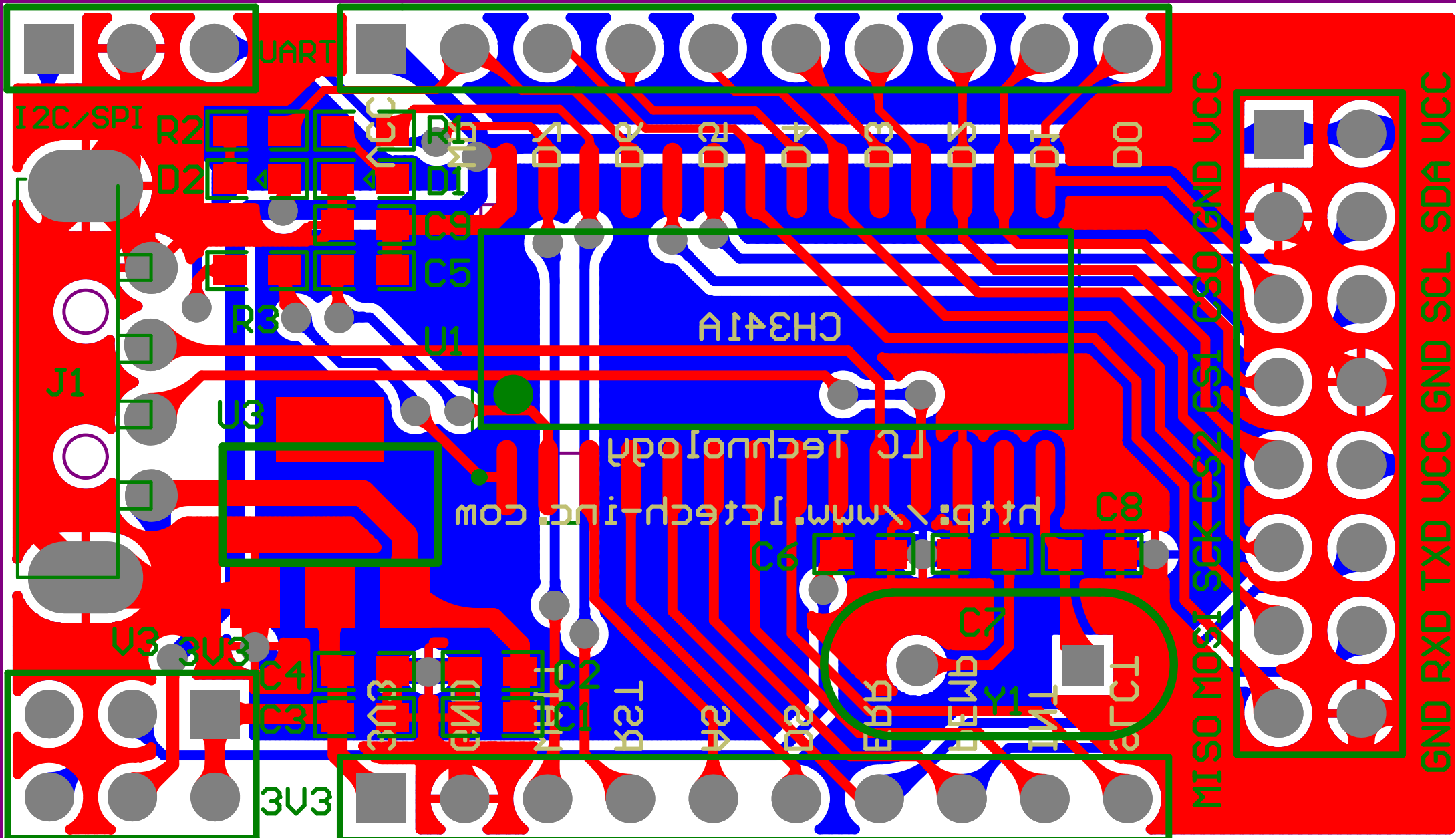


Title		
CH341A		
Size	Number	Revision
A4		censhibo
Date:	2016/9/7	Sheet of
File:	C:\Users\...\CH341A.SchDoc	Drawn By: sunxiao



UART

I2C/SPI

R2

D2

R1

D1

C1

C9

C5

R3

U1

CH341A

U3

http://www.lc-technology.com

C8

C6

U3

3V3

C4

C3

3V3

U3

U3

U3

U3

U3

U3

U3

U3

U3

U3

U3

U3

U3

U3

U3

U3

U3

U3

U3

U3

U3

U3

U3

U3

U3

U3

U3

U3

U3

U3

U3

U3

U3

U3

U3

U3

U3

U3

U3

U3

U3

U3

U3

U3

U3

U3

MISO MOSI SCK CS2 CS1 CS0 GND VCC

GND RXD TXD VCC GND SCL SDA VCC

Comment	Description	Designator	Footprint	LibRef	Quantity
0.1uF	Capacitor	C1, C4, C9	0603	Cap	3
10uF	Capacitor	C2, C3	0603	Cap	2
0.47uF	Capacitor	C5	0603	Cap	1
0.01uF	Capacitor	C6	0603	Cap	1
22pF	Capacitor	C7, C8	0603	Cap	2
RED	Typical INFRARED GaAs LED	D1	LED-0603	LED-0603	1
BLUE	Typical INFRARED GaAs LED	D2	LED-0603	LED-0603	1
USB	Header, 4-Pin	J1	USB_M	Header 4	1
Header 3	Header, 3-Pin	P1	HDR1X3	Header 3	1
Header 3X2A	Header, 3-Pin, Dual row	P2	HDR2X3_CEN	Header 3X2A	1
Header 10	Header, 10-Pin	P3, P4	HDR1X10	Header 10	2
Header 8X2A	Header, 8-Pin, Dual row	P5	HDR2X8_CEN	Header 8X2A	1
1K	Resistor	R1, R2	0603	Res1	2
2K	Resistor	R3	0603	Res1	1
CH341A		U1	SOP28	CH341A	1
AMS1117-3.3	Voltage Regulator	U3	AMS1117	Volt Reg	1
12M	Crystal Oscillator	Y1	XTAL-49S	XTAL	1