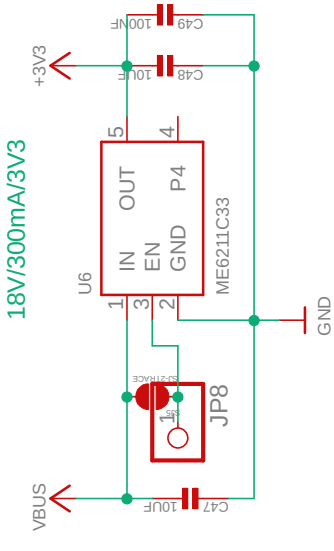
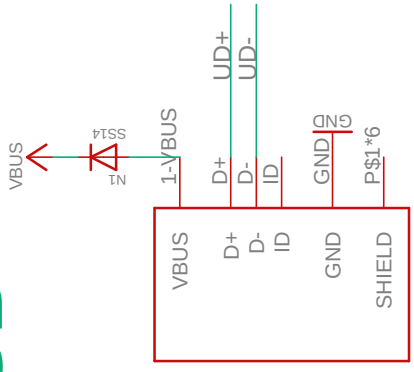


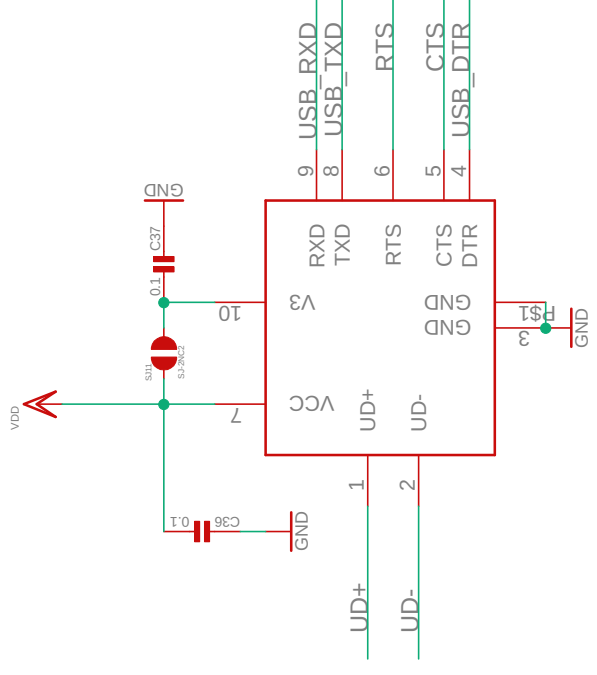
LDO-6211



USB



USB-TTL:CH340K



SYS-POWER

